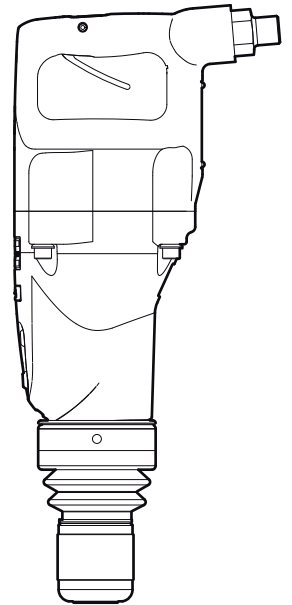


Spare parts list

Handheld pneumatic pick hammers



Contents

General information.....	5
Spare parts list.....	6
TEX 05PE	6
Insertion tools.....	8
Hexagon 19 x 50 mm ($\frac{3}{4}$ x 2 in.).....	8
Hexagon $\frac{3}{4}$ x 2 in. (19 x 50 mm).....	8
Accessories.....	9
Breaker and hammer AIR-OIL.....	9
Optional equipment.....	10

General information

This spare parts list applies to the following:

Part number	Description
8461 0219 10	Handheld pneumatic breaker TEX 05PE H19 x 50 mm (H $\frac{3}{4}$ x 2 in.)

Use only authorized parts. Any damage or malfunction caused by the use of unauthorized parts is not covered by Warranty or Product Liability. Any unauthorized use or copying of the contents or any part thereof is prohibited. This applies in particular to trademarks, model denominations, part numbers, and drawings.

Instructions for use

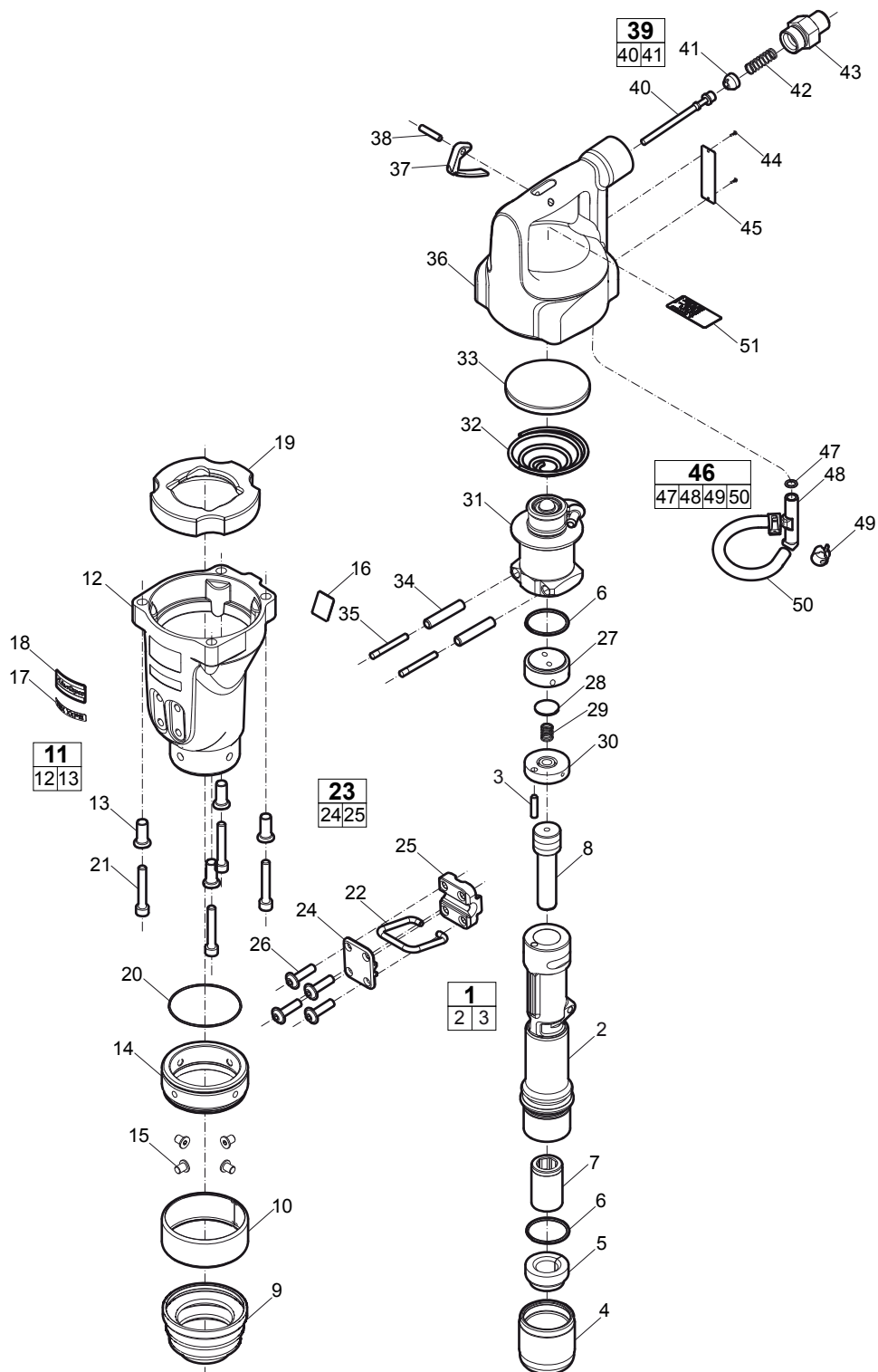
This spare parts list contains no safety regulations and is merely intended to assist in the ordering of spare parts.

For information about operating, servicing, or repairing, the relevant Safety and operating instructions must be consulted at all costs.

Please observe the safety instructions listed in the relevant Safety and operating instructions!

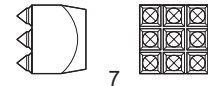
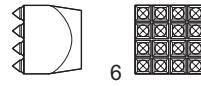
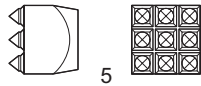
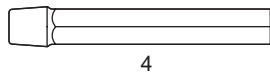
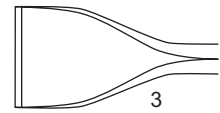
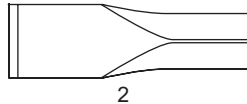
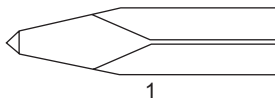
Spare parts list

TEX 05PE

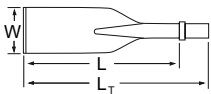


No.	Description	Remark	Quantity	Part number
1(2-3)	Cylinder, complete		1	3310 1591 80
2	Cylinder		1	-
3	Pipe		1	3310 1186 00
4	Cap		1	3310 1439 00
5	Buffer		1	3310 1440 00
6	O-ring		2	0663 9191 00
7	Chuck	H19 x 50 mm	1	3310 1183 00
8	Piston		1	3310 1603 00
9	Bellow		1	3310 1431 00
10	Ring		1	3310 1432 00
11(12-13)	Silencer, complete		1	3310 1433 80
12	Silencer		1	-
13	Bush		4	3310 1597 00
14	Front ring		1	3310 1451 00
15	Screw hexagon socket		4	0215 0006 35
16	Sound label		1	-
17	Label	Tex 05PE	1	3310 1553 05
18	Plate		1	0690 1354 00
19	Buffer ring		1	3310 1593 00
20	O-ring	Ø72 x 2 mm NBR 70 ShA	1	0663 9279 00
21	Screw	MC6S M8 x 50 - 8.8	4	0211 1330 03
22	Link		1	3310 1430 00
23(24-25)	Bearing, complete		1	3310 1428 80
24	Upper plate		1	-
25	Lower plate		1	-
26	Screw hexagon socket		4	0215 0006 36
27	Valve housing		1	3310 1589 80
28	Main valve		1	3310 1181 00
29	Spring		1	3310 1605 00
30	Cover		1	3310 1588 00
31	Back cover		1	3310 1587 91
32	Spring		1	3310 1435 00
33	Spring seat		1	3310 1594 00
34	Bushing insert		2	3310 1598 00
35	Pin		2	3310 1601 00
36	Back head		1	3310 1438 00
37	Trigger		1	3310 1421 00
38	Spiral pin		1	0108 3328 00
39(40-41)	Valve stem, complete		1	3310 1281 80
40	Valve stem		1	-
41	Inlet valve		1	3310 1135 00
42	Spring		1	3310 1130 00
43	Nipple	G½ in. A	1	3310 1595 00
44	Screw		2	0244 4144 00
45	Data plate		1	-
46(47-50)	Hose, complete		1	3310 1596 90
47	O-ring		1	0663 2115 44
48	Inlet nipple		1	-
49	Hose clip		2	0347 0102 04
50	Hose		1	-
51	Label	Safety	1	3310 1602 00

Insertion tools



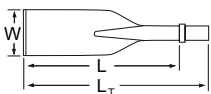
Hexagon 19 x 50 mm ($\frac{3}{4}$ x 2 in.)



Flat to flat

No.	Description	W (mm)	L (mm)	Part number
1	Moil point	-	240	3083 3220 00
		-	440	3083 3221 00
2	Narrow chisel	-	240	3083 3222 00
		-	440	3083 3223 00
3	Wide chisel	60	190	3083 3224 00
4	Shaft for bush hammer	-	80	3083 3225 00
5	Bush hammer, TC head	40	-	3083 3226 00
6	Bush hammer, TC head	40	-	3083 3227 00
7	Bush hammer, steel head	32	-	3083 4163 00

Hexagon $\frac{3}{4}$ x 2 in. (19 x 50 mm)



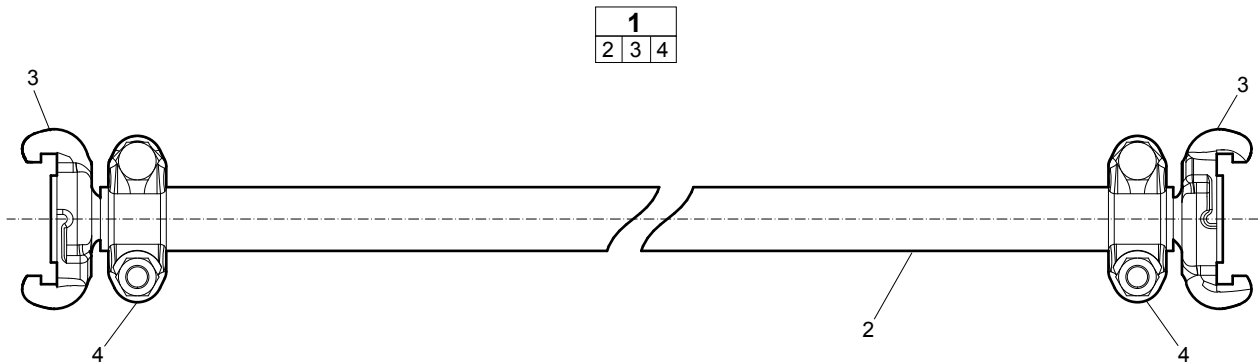
No.	Description	W (in.)	L (in.)	L _T (in.)	Part number
1	Moil point	-	9½	11.8	3083 3220 00
		-	17	19.7	3083 3221 00
2	Narrow chisel	-	9½	11.8	3083 3222 00
		-	17	19.7	3083 3223 00
3	Wide chisel	2¾	7½	9.8	3083 3224 00
4	Shaft for bush hammer	-	3¾		3083 3225 00
5	Bush hammer, TC head	1½	-		3083 3226 00
6	Bush hammer, TC head	1½	-		3083 3227 00
7	Bush hammer, steel head	1¼	-		3083 4163 00

Accessories

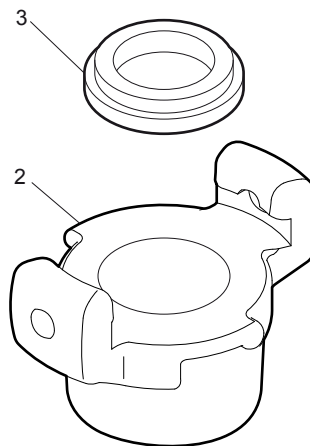
Breaker and hammer AIR-OIL

Description	Remark	Quantity	Part number
Breaker and hammer AIR-OIL	0.25 l 0.06 US gallon	1	8099 0202 40
Breaker and hammer AIR-OIL	1 l 0.26 US gallon	1	8099 0202 36
Breaker and hammer AIR-OIL (pack)	1 l 0.26 US gallon	20	8099 0202 81
Breaker and hammer AIR-OIL	5 l 1.32 US gallon	1	8099 0202 02
Breaker and hammer AIR-OIL (pack)	5 l 1.32 US gallon	4	8099 0202 85

Optional equipment



No.	Description	Remark	Quantity	Part number
1(2-4)	Handhose with couplings and hose clamps		1	9030 2090 00
2	Rubber hose	L = 3 m L = 118.11 in.	1	9030 2090 03
3	Claw coupling	ø12.5 mm ø0.50 in.	2	9000 0310 00
4	Hose clamp	ø12.5 mm ø0.50 in.	2	9000 0194 00



No.	Description	Remark	Quantity	Part number
1(2-3)	Claw coupling, complete		1	9000 0305 00
2	Claw coupling		1	-
3	Seal		1	9000 0000 00



Any unauthorized use or copying of the contents or any part thereof is prohibited.
This applies in particular to trademarks, model denominations, part numbers, and drawings.

© 2013 Atlas Copco Construction Tools AB | No. 9800 0817 01c | 2013-01-14

www.atlascopco.com